

POINTS

Steel Sheet Pile Sections > Sheet Pile Accessories > Points

VS500 SERIES SHEET PILE DRIVE POINTS

We make a “universal” tip to fit all piles, as well as a wide selection of tips made to fit each of the most popular sheet piles used.

Weld Procedure

These points should be welded with a 5/16" fillet along the entire length of the top flange on both sides using 70xx series rod.

Features

- Universal Straight Bar
- VS-527
- VS-535
- Other types can be made



H-PILE ACCESSORIES

Deep Foundation Pile Systems > H-Pile Accessories

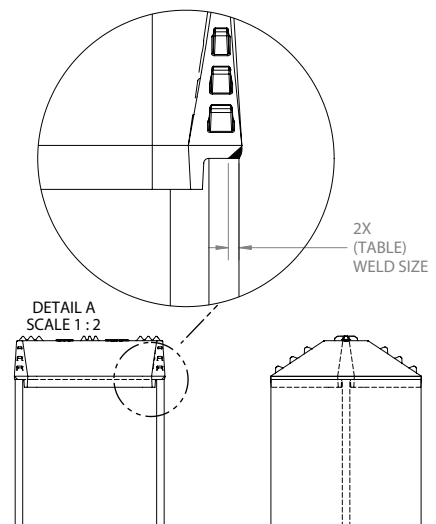
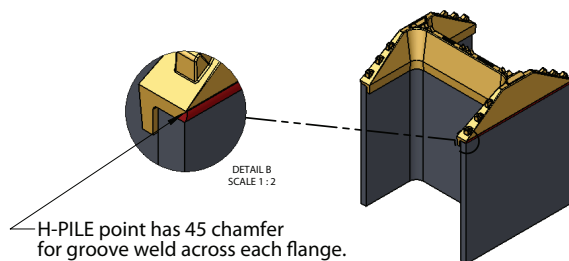
VS300N SERIES H-PILE POINTS

H-Pile points are made of high strength, low alloy cast steel. Cast steel is a superior material choice because it's isotropic – its properties are uniform in all directions. Cast steel points absorb impact and transfer it uniformly to the end of the pile.

Tips are pre-beveled, eliminating pile end preparation. The weld prep is already built into the point; our castings have a 45 degree weld chamfer so there is no need to chamfer piles.

Weld Procedure

1. To insure proper seating of the tip, remove all flash from end of pile and insert tip.
2. Using a 70xx series rod, make a single pass weld across each flange on the outside only.
3. Do not weld web or inside of flanges.
4. For heavier sections, you may want to use multiple welding passes.

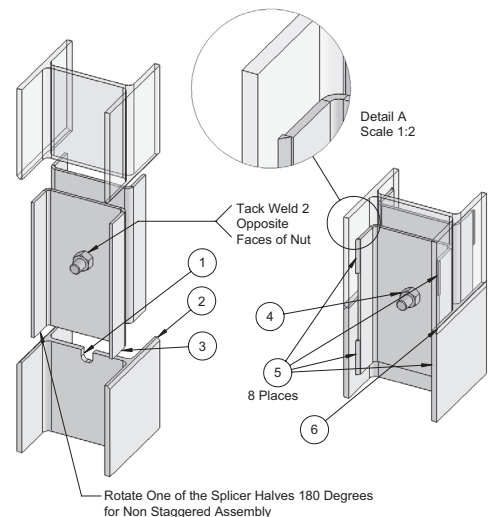


VS400 SERIES H-PILE SPLICER

H-Pile splicers save time during driving of long piles by eliminating the need for a full penweld. Made in ASTM A572 GR.50 or higher strength if requested.

Weld Procedure

1. Cut 1.0" wide x 1.0" long notch in center of web of one pile.
2. Chamfer outside edges of flanges on ends of one or both piles to be spliced. Make chamfer to about 1/2 material thickness.
3. Insert splicer on first pile making sure bolt is completely inside notch.
4. Install next section of pile and tighten bolt.
5. Using a 70xx series rod, weld the flanges of splicer to the flanges of the pile with (TABLE)" by 3" vertical fillets.
6. Weld the outside flanges of the piles to complete.



PIPE PILE ACCESSORIES

Deep Foundation Pile Systems > Pipe Pile > Pipe Pile Accessories

VS900 SERIES INSIDE-FIT CONICAL PIPE POINTS

Inside-fit conical points are manufactured with 60 degree slope for optimum ease in penetration and even distribution of load. The conical points are slip fit, and can accommodate schedule 80 and thicker wall pipe. There is an option of a blunt nose if desired.

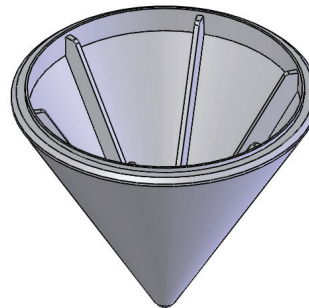
Our conical points are easy to install with a slip-on fit. The design places the cross-sectional area directly below the wall of the pipe for maximum support during penetration. They are a more heavy duty construction than other brands.

The inside-fit conical point has a weld prep built into the shoe. These tips are designed with a weld chamfer built into the casting. Slip shoe inside pipe and using a 70xx series rod weld a 5/16" or larger weld all around.

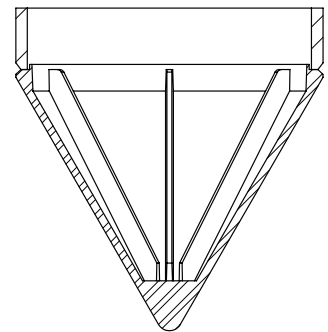
Weld Procedure

Welding for most sizes requires a simple 5/16" fillet weld using 70xx series rod all around the top of the flange.

Type Inside-Fit



Conical Point and Pipe Cross-Section View



VS800 SERIES CAST STEEL PIPE SPLICERS

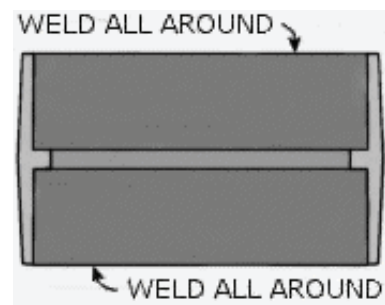
Cast steel splicers have the advantage of uniform sizing — there is no risk of improper fit, compared to fabricated splicers that are individually made. JDF Construction Products casts splicers in ASTM A 27, Grade 65/35, with ASTM A 148 grade 90-60 on request.

Weld Procedure

Pipe splicers are drive fit. Under proper conditions, the drive fit is water tight. If welding is desired, a simple 5/16" fillet using 70xx series rod at the top and bottom is all that is required.

Features

- Compression Fit
- Slip Fit



PIPE PILE ACCESSORIES

Deep Foundation Pile Systems > Pipe Pile > Pipe Pile Accessories

VS700 SERIES OPEN ENDED INSIDE-FIT CUTTING SHOES

Both of our cutting shoes are easy to install with a slip-on fit. The design places the cross-sectional area directly below the wall of the pipe for maximum support during penetration. They are a more heavy duty construction than other brands. The inside-fit cutting shoe has a weld prep built into the shoe.

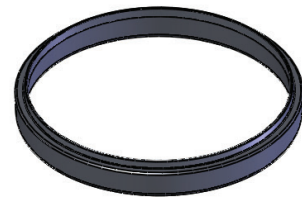
Weld Procedure

These tips are designed with a weld chamfer built into the casting. Slip shoe inside pipe and using a 70xx series rod weld a 5/16" weld all around.

Features

- Fits All Standard Pipe Sizes
- Please verify fit on pipes over 7/8" Thick
- All Steel Alloy Grades

Inside-Fit



VS200 SERIES OPEN ENDED OUTSIDE-FIT CUTTING SHOES

Like our inside-fit shoe, this shoe has a slip-on fit, and the cross-sectional area lies below the wall of the pipe. The outside-fit cutting shoe has a natural fillet on top for easy welding.

Weld Procedure

These slip fit shoes are easily attached with a 5/16" fillet weld at the top of the flange. For best results, weld all around the shoe with a 70xx series rod.

Features

- Fits All Standard Pipe Sizes
- All Steel Alloy Grades

Outside-Fit



PIPE PILE ACCESSORIES

Deep Foundation Pile Systems > Pipe Pile > Pipe Pile Accessories

VS100 SERIES WELD/CHILL RINGS

We manufacture weld rings to fit all sizes of pipe and wall thicknesses. The standard weld ring is 1/8" thick.

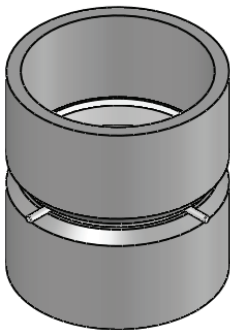
Features

- Spherical Spacers
- Short or Long Pin Spacers
- Stainless and Carbon Steel

The inside diameter of a specific nominal pipe size will vary due to the difference in pipe wall thicknesses. The JDF Construction Products split commercial ring is designed to compensate for these variations. When inserted into the pipe, the ring can be closed at the split or have a gap, depending on the inside diameter of the pipe. These rings are also designed and manufactured with an opening at the split which permits the welder to compress the ring when it is inserted into the pipe. When released inside the pipe opening, the ring will spring back and make contact throughout the inside circumference of the pipe. The usual procedure followed when using our JDF Construction Products split commercial rings is to insert the ring into one end of the pipe, and then bring the other pipe over the opposite end of the ring, forcing both ends of both pipes against whatever root opening spacers are furnished on that particular ring.

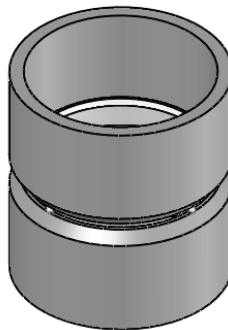
Type LG

Type LG Ring Spacers
are removed in the
welding process



Type S

Type S Ring Spacers
may be removed or
melted into the weld



Type W

Type W Ring is
furnished without
spacers

