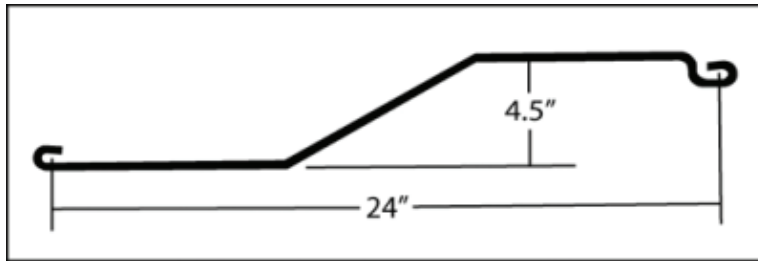




## LIGHTWEIGHT Z SERIES

Steel Sheet Pile Sections > Cold Formed Z Sections > Lightweight Z Series



## LIGHTWEIGHT Z SERIES

Section	Section Area			Weight			Wall Depth	Material Thickness		Moment of Inertia		Section Modulus		Sheet Section Perimeter	Center of Gravity to Outer Fiber
	Per Pile	Per Foot of Wall	Laying Width	Per Linear Foot of Pile	Per Square Foot of Wall	Web		Flange	Per Pile	Per Foot of Wall	Per Pile	Per Foot of Wall			
	Inch <sup>2</sup> (cm <sup>2</sup> )	Inch <sup>2</sup> (cm <sup>2</sup> )	Inch (cm)	Pounds (kgs)	Pounds (kgs)	Inch (cm)		Inch (cm)	Inch <sup>4</sup> (cm <sup>4</sup> )	Inch <sup>4</sup> (cm <sup>4</sup> )	Inch <sup>3</sup> (cm <sup>3</sup> )	Inch <sup>3</sup> (cm <sup>3</sup> )			
LZ-8	5.03 31.8	2.42 52.2	24.98 61.0	16.88 24.96	8.11 40.94	4.45 11.3	0.164 0.418	0.164 0.418	16.89 703	8.11 1,153	7.56 124	3.63 203	61.7 153.2	2.234 5.674	
LZ-7	5.49 34.7	2.64 56.9	24.97 61.0	18.41 27.22	8.85 44.65	4.47 11.4	0.179 0.455	0.179 0.455	18.42 767	8.85 1,258	8.21 135	3.95 221	61.8 153.4	2.242 5.695	
LZ-5	6.41 40.5	3.09 66.4	24.94 61.0	21.41 31.76	10.30 52.09	4.50 11.4	0.209 0.531	0.209 0.531	21.52 896	10.35 1,469	9.52 156	4.58 256	61.8 153.4	2.259 5.738	
LZ-3	7.31 46.3	3.52 75.9	24.91 61.0	24.47 36.29	11.79 59.54	4.53 11.5	0.239 0.607	0.239 0.607	24.59 1,024	11.85 1,676	10.82 177	5.21 291	61.8 153.7	2.272 5.771	
LZ-250	7.56 48.4	3.70 79.4	24.50 61.0	25.71 37.95	12.59 62.25	4.54 11.5	0.250 0.635	0.250 0.635	25.12 1,046	12.31 1,715	10.94 179	5.36 294	61.0 153.7	2.297 5.834	

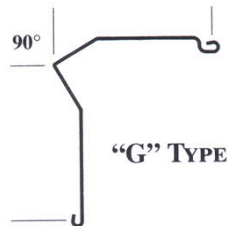
J D Fields Construction Products cold form sheet pile sections are available in material grades ASTM-A-572 GR.50 / ASTM-A-328 / Bare or Galvanized finish. All sections are fully manufactured in the USA and cut to order length.

### Bent Corners - Any angle up to 90 degrees

#### “G” Type

Available from *stock*

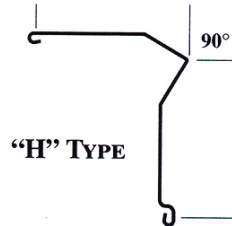
- Capping Angle
- Waling Channel
- Tieback Rods



#### “H” Type

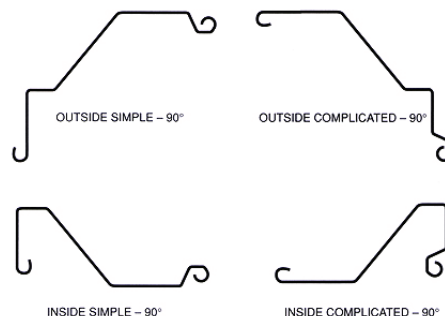
Available from *stock*

- Custom Capping
- Waling Channel
- Tieback Rods



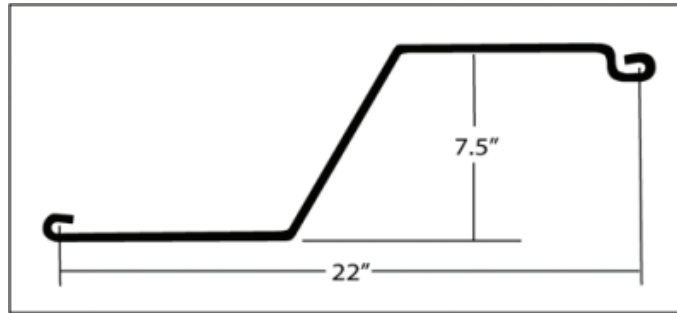
### Bent Corners

- Corners may be bent to any degree up to 90 degrees
- Outside corners available in all Z piling sections
- Inside corners available in light Z, intermediate light Z and intermediate heavy Z
- Custom capping, tiebacks, waling, fabricated corners, tees and slip joints are available



## INTERMEDIATE Z SERIES

Steel Sheet Pile Sections > Cold Formed Z Sections > Intermediate Z Series



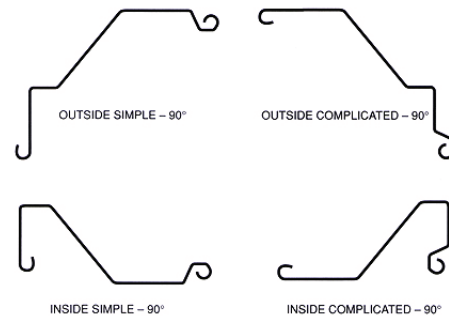
## INTERMEDIATE Z SERIES

Section	Section Area			Weight		Wall Depth	Material Thickness		Moment of Inertia		Section Modulus		Sheet Section Perimeter	Center of Gravity to Outer Fiber
	Per Pile	Per Foot of Wall	Laying Width	Per Linear Foot of Pile	Per Square Foot of Wall		Web	Flange	Per Pile	Per Foot of Wall	Per Pile	Per Foot of Wall		
	Inch <sup>2</sup> (cm <sup>2</sup> )	Inch <sup>2</sup> (cm <sup>2</sup> )	Inch (cm)	Pounds (kgs)	Pounds (kgs)		Inch (cm)	Inch (cm)	Inch <sup>4</sup> (cm <sup>4</sup> )	Inch <sup>4</sup> (cm <sup>4</sup> )	Inch <sup>3</sup> (cm <sup>3</sup> )	Inch <sup>3</sup> (cm <sup>3</sup> )		
SZ-10	5.04	2.74	22.06	16.88	9.18	7.41	0.164	0.164	50.35	27.39	13.36	7.27	61.8	3.768
	31.8	56.9	55.9	24.96	44.66	18.8	0.418	0.418	2,096	3,750	219	392	153.2	9.571
SZ-11	5.48	2.98	22.06	18.41	10.01	7.43	0.179	0.179	54.77	29.79	14.52	7.90	61.8	3.771
	34.7	62.1	55.9	27.22	48.71	18.9	0.455	0.455	2,280	4,080	238	426	153.4	9.578
SZ-12	6.40	3.49	22.03	21.41	11.66	7.46	0.209	0.209	63.96	34.84	16.88	9.19	61.8	3.789
	40.5	72.5	55.9	31.76	56.83	18.9	0.531	0.531	2,662	4,764	277	495	153.4	9.624
SZ-14	7.32	3.99	22.01	24.47	13.34	7.49	0.239	0.239	73.18	39.90	19.23	10.45	61.9	3.806
	46.3	82.8	55.9	36.29	64.95	19.0	0.607	0.607	3,046	5,451	315	564	153.7	9.667
SZ-15	7.65	4.17	22.00	25.52	13.92	7.50	0.250	0.250	76.47	41.71	20.05	10.94	61.9	3.814
	48.4	86.6	55.9	37.95	67.91	19.1	0.635	0.635	3,183	5,696	329	588	153.7	9.688

J D Fields Construction Products cold form sheet pile sections are available in material grades ASTM-A-572 GR.50 / ASTM-A-328 / Bare or Galvanized finish. All sections are fully manufactured in the USA and cut to order length.

### Bent Corners

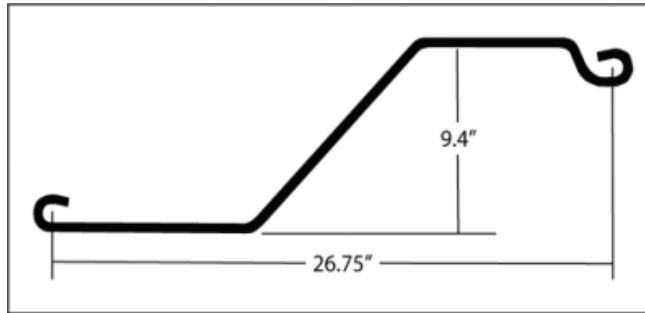
- Corners may be bent to any degree up to 90 degrees
- Outside corners available in all Z piling sections
- Inside corners available in light Z, intermediate light Z and intermediate heavy Z
- Custom capping, tiebacks, waling, fabricated corners, tees and slip joints are available





## INTERMEDIATE HEAVY Z SERIES

Steel Sheet Pile Sections > Cold Formed Z Sections > Intermediate Heavy Z Series



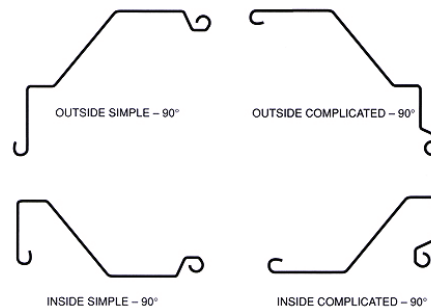
### INTERMEDIATE HEAVY Z SERIES

Section	Section Area			Weight		Wall Depth	Material Thickness		Moment of Inertia		Section Modulus		Sheet Section Perimeter	Center of Gravity to Outer Fiber
	Per Pile	Per Foot of Wall	Laying Width	Per Linear Foot of Pile	Per Square Foot of Wall		Web	Flange	Per Pile	Per Foot of Wall	Per Pile	Per Foot of Wall		
	Inch <sup>2</sup> (cm <sup>2</sup> )	Inch <sup>2</sup> (cm <sup>2</sup> )	Inch (cm)	Pounds (kgs)	Pounds (kgs)		Inch (cm)	Inch (cm)	Inch <sup>4</sup> (cm <sup>4</sup> )	Inch <sup>4</sup> (cm <sup>4</sup> )	Inch <sup>3</sup> (cm <sup>3</sup> )	Inch <sup>3</sup> (cm <sup>3</sup> )		
SZ-14.5	9.56	4.29	26.71	32.53	14.62	9.34	0.250	0.250	136.87	61.49	29.03	13.04	77.0	4.715
	61.5	90.4	67.9	48.19	70.94	23.7	0.635	0.635	5,697	8,385	476	700	194.8	11.976
SZ-14.5 RU	10.31	4.63	26.71	35.10	15.77	9.36	0.270	0.270	147.76	66.38	31.28	14.05	76.9	4.724
	66.4	97.6	67.9	52.06	76.61	23.8	0.686	0.686	6,150	9,051	513	754	194.8	11.999
SZ-18	11.94	5.36	26.71	40.63	18.25	9.40	0.312	0.312	171.01	76.83	36.02	16.18	76.9	4.747
	76.4	112.4	67.9	59.93	88.18	23.9	0.795	0.795	7,118	10,475	590	869	194.1	12.057
SZ-20	12.94	5.81	26.71	44.03	19.78	9.43	0.340	0.340	185.58	83.37	39.02	17.53	76.9	4.756
	82.9	122.1	67.9	65.03	95.70	24.0	0.864	0.864	7,724	11,369	639	941	193.8	12.080
SZ-21	13.34	5.99	26.71	45.41	20.40	9.44	0.350	0.350	191.43	86.00	40.20	18.06	76.9	4.762
	85.4	125.5	67.9	66.94	98.53	24.0	0.889	0.889	7,968	11,728	659	969	193.8	12.095
SZ-22	14.26	6.41	26.71	48.53	21.80	9.47	0.375	0.375	204.61	91.92	42.85	19.25	76.9	4.775
	91.4	134.4	67.9	71.63	105.41	24.1	0.953	0.953	8,517	12,535	702	1,033	193.8	12.129

J D Fields Construction Products cold form sheet pile sections are available in material grades ASTM-A-572 GR.50 / ASTM-A-328 / Bare or Galvanized finish. All sections are fully manufactured in the USA and cut to order length.

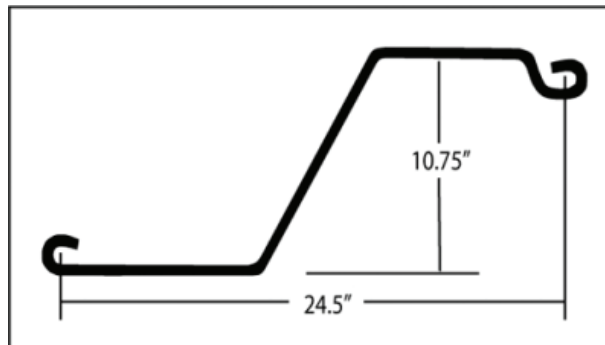
#### Bent Corners

- Corners may be bent to any degree up to 90 degrees
- Outside corners available in all Z piling sections
- Inside corners available in light Z, intermediate light Z and intermediate heavy Z
- Custom capping, tiebacks, waling, fabricated corners, tees and slip joints are available



## MID HEAVY Z SERIES

Steel Sheet Pile Sections > Cold Formed Z Sections > Mid Heavy Z Series



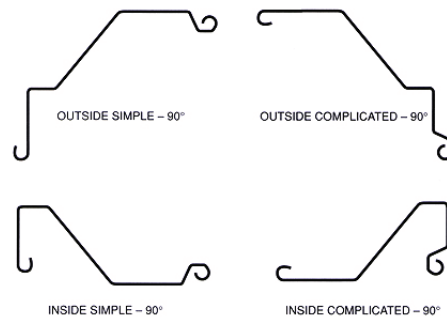
## MID HEAVY Z SERIES

Section	Section Area			Weight		Wall Depth	Material Thickness		Moment of Inertia		Section Modulus		Sheet Section Perimeter	Center of Gravity to Outer Fiber
	Per Pile	Per Foot of Wall	Laying Width	Per Linear Foot of Pile	Per Square Foot of Wall		Web	Flange	Per Pile	Per Foot of Wall	Per Pile	Per Foot of Wall		
	Inch <sup>2</sup> (cm <sup>2</sup> )	Inch <sup>2</sup> (cm <sup>2</sup> )	Inch (cm)	Pounds (kgs)	Pounds (kgs)	Inch (cm)	Inch (cm)	Inch (cm)	Inch <sup>4</sup> (cm <sup>4</sup> )	Inch <sup>4</sup> (cm <sup>4</sup> )	Inch <sup>3</sup> (cm <sup>3</sup> )	Inch <sup>3</sup> (cm <sup>3</sup> )	Inch (cm)	Inch (cm)
SZ-250	9.50 61.5	4.66 98.8	24.46 62.2	32.50 48.19	15.94 77.44	10.69 27.2	0.250 0.635	0.250 0.635	182.27 7,587	89.42 12,192	33.87 555	16.62 892	76.4 194.8	5.381 13.668
SZ-313	11.82 76.4	5.80 122.8	24.46 62.2	40.62 59.93	19.93 96.28	10.75 27.3	0.312 0.795	0.312 0.795	227.34 9,463	111.53 15,206	42.02 689	20.62 1,106	76.4 194.1	5.410 13.741
SZ-340	12.87 82.9	6.32 133.1	24.46 62.2	43.83 65.03	21.50 104.49	10.78 27.4	0.340 0.864	0.340 0.864	247.56 10,304	121.45 16,558	45.66 748	22.40 1,203	76.4 193.8	5.421 13.769
SZ-350	13.21 85.4	6.48 137.2	24.46 62.2	45.08 66.94	22.11 107.56	10.79 27.4	0.350 0.889	0.350 0.889	254.02 10,573	124.62 16,991	46.80 767	22.96 1,232	76.4 193.8	5.428 13.787
SZ-375	14.16 91.4	6.94 146.7	24.46 62.2	48.25 71.63	23.67 115.08	10.81 27.5	0.375 0.953	0.375 0.953	272.22 11,331	133.55 18,207	50.09 821	24.57 1,319	76.4 193.8	5.435 13.805

J D Fields Construction Products cold form sheet pile sections are available in material grades ASTM-A-572 GR.50 / ASTM-A-328 / Bare or Galvanized finish. All sections are fully manufactured in the USA and cut to order length.

### Bent Corners

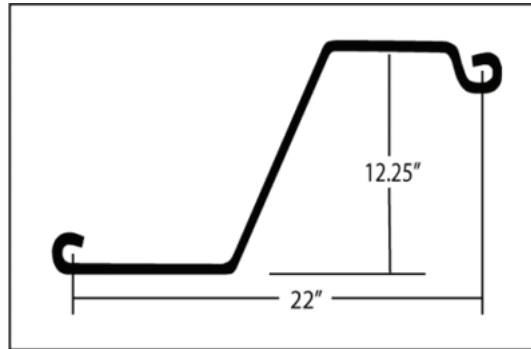
- Corners may be bent to any degree up to 90 degrees
- Outside corners available in all Z piling sections
- Inside corners available in light Z, intermediate light Z and intermediate heavy Z
- Custom capping, tiebacks, waling, fabricated corners, tees and slip joints are available





## HEAVY Z SERIES

Steel Sheet Pile Sections > Cold Formed Z Sections > Heavy Z Series



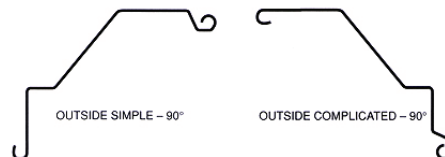
## HEAVY Z SERIES

Section	Section Area			Weight		Wall Depth	Material Thickness		Moment of Inertia		Section Modulus		Sheet Section Perimeter	Center of Gravity to Outer Fiber
	Per Pile	Per Foot of Wall	Laying Width	Per Linear Foot of Pile	Per Square Foot of Wall		Web	Flange	Per Pile	Per Foot of Wall	Per Pile	Per Foot of Wall		
	Inch <sup>2</sup> (cm <sup>2</sup> )	Inch <sup>2</sup> (cm <sup>2</sup> )	Inch (cm)	Pounds (kgs)	Pounds (kgs)	Inch (cm)	Inch (cm)	Inch (cm)	Inch <sup>4</sup> (cm <sup>4</sup> )	Inch <sup>4</sup> (cm <sup>4</sup> )	Inch <sup>3</sup> (cm <sup>3</sup> )	Inch <sup>3</sup> (cm <sup>3</sup> )	Inch (cm)	Inch (cm)
SZ-222	11.94 76.4	6.51 136.7	22.00 55.9	40.62 59.93	22.16 107.22	12.19 31.0	0.312 0.795	0.312 0.795	299.00 12,445	163.09 22,271	48.85 801	26.65 1,433	77.1 194.1	6.120 15.545
SZ-24	13.00 82.9	7.08 148.4	22.00 55.9	44.22 65.03	24.12 116.35	12.22 31.0	0.340 0.864	0.340 0.864	325.45 13,546	177.52 24,242	53.11 870	28.97 1,558	77.0 193.8	6.128 15.565
SZ-25	13.32 85.4	7.26 152.8	22.00 55.9	45.37 66.94	24.75 119.82	12.22 31.0	0.350 0.889	0.350 0.889	333.51 13,882	181.91 24,841	54.31 890	29.62 1,592	77.0 193.8	6.141 15.598
SZ-27	14.29 91.4	7.78 163.4	22.00 55.9	48.63 71.63	26.52 128.17	12.25 31.1	0.375 0.953	0.375 0.953	357.83 14,894	195.18 26,654	58.24 954	31.77 1,708	76.9 193.8	6.144 15.606

J D Fields Construction Products cold form sheet pile sections are available in material grades ASTM-A-572 GR.50 / ASTM-A-328 / Bare or Galvanized finish. All sections are fully manufactured in the USA and cut to order length.

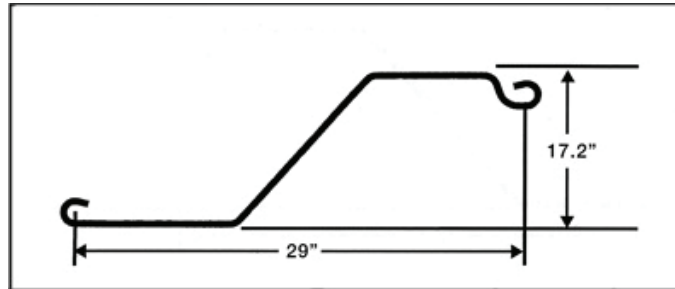
### Bent Corners

- Outside corners only on heavyweight sheet piling
- Corners may be bent to any degree up to 90 degrees
- Custom capping, tiebacks, waling, fabricated corners, tees and slip joints are available



## MEGA Z-18 SERIES

Steel Sheet Pile Sections > Cold Formed Z Sections > Mega Z-18 Series



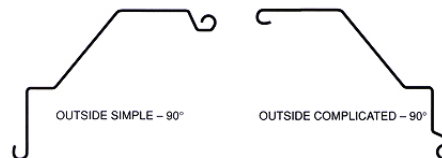
## MEGA Z-18 SERIES

Section	Section Area			Weight			Material Thickness		Moment of Inertia		Section Modulus		Sheet Section Perimeter	Center of Gravity to Outer Fiber
	Per Pile	Per Foot of Wall	Laying Width	Per Linear Foot of Pile	Per Square Foot of Wall	Wall Depth	Web	Flange	Per Pile	Per Foot of Wall	Per Pile	Per Foot of Wall		
	Inch <sup>2</sup> (cm <sup>2</sup> )	Inch <sup>2</sup> (cm <sup>2</sup> )	Inch (cm)	Pounds (kgs)	Pounds (kgs)	Inch (cm)	Inch (cm)	Inch (cm)	Inch <sup>4</sup> (cm <sup>4</sup> )	Inch <sup>4</sup> (cm <sup>4</sup> )	Inch <sup>3</sup> (cm <sup>3</sup> )	Inch <sup>3</sup> (cm <sup>3</sup> )		
MSZ18-312	14.61 94.3	6.05 128.0	29.00 73.6	49.72 73.99	20.58 100.50	17.20 43.6	0.312 0.794	0.312 0.794	715.47 29780	296.06 40430	83.36 1366	34.50 1855	94.13 239.1	8.583 21.801
MSZ18-340	15.90 102.5	6.58 139.3	29.00 73.6	54.10 80.50	22.40 109.35	17.20 43.6	0.340 0.864	0.340 0.864	778.38 32399	322.09 43984	90.52 1483	37.46 2014	94.18 239.2	8.599 21.841
MSZ18-350	16.36 105.6	6.77 143.4	29.00 73.6	55.69 82.87	23.05 112.56	17.20 43.6	0.350 0.889	0.350 0.889	799.80 33290	330.95 45194	92.94 1523	38.46 2068	94.20 239.3	8.606 21.859
MSZ18-375	17.53 113.1	7.26 153.6	29.00 73.6	59.67 88.79	24.70 120.60	17.20 43.6	0.375 0.953	0.375 0.953	856.69 35658	354.67 48433	99.38 1629	41.12 2211	94.25 239.4	8.620 21.896
MSZ18-406	19.98 122.5	7.86 166.3	29.00 73.6	64.60 96.13	26.74 130.57	17.20 43.6	0.406 1.031	0.406 1.031	929.53 38690	384.83 52552	107.57 1763	44.53 2394	94.31 239.6	8.642 21.950

J D Fields Construction Products cold form sheet pile sections are available in material grades ASTM-A-572 GR.50 / ASTM-A-328 / Bare or Galvanized finish. All sections are fully manufactured in the USA and cut to order length.

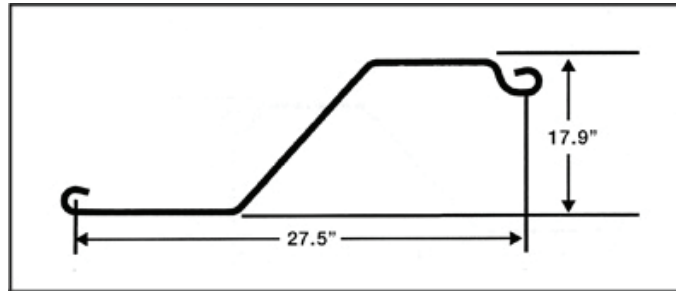
### Bent Corners

- Outside corners only on heavyweight sheet piling
- Corners may be bent to any degree up to 90 degrees
- Custom capping, tiebacks, waling, fabricated corners, tees and slip joints are available



## MEGA Z-19 SERIES

Steel Sheet Pile Sections > Cold Formed Z Sections > Mega Z-19 Series



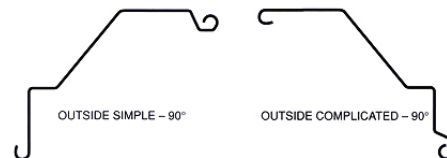
## MEGA Z-19 SERIES

Section	Section Area			Weight		Wall Depth	Material Thickness		Moment of Inertia		Section Modulus		Sheet Section Perimeter	Center of Gravity to Outer Fiber
	Per Pile	Per Foot of Wall	Laying Width	Per Linear Foot of Pile	Per Square Foot of Wall		Web	Flange	Per Pile	Per Foot of Wall	Per Pile	Per Foot of Wall		
	Inch <sup>2</sup> (cm <sup>2</sup> )	Inch <sup>2</sup> (cm <sup>2</sup> )	Inch (cm)	Pounds (kgs)	Pounds (kgs)		Inch (cm)	Inch (cm)	Inch <sup>4</sup> (cm <sup>4</sup> )	Inch <sup>4</sup> (cm <sup>4</sup> )	Inch <sup>3</sup> (cm <sup>3</sup> )	Inch <sup>3</sup> (cm <sup>3</sup> )		
MSZ19-340	15.90 102.5	6.94 146.8	27.50 69.9	54.10 80.50	23.61 115.25	17.90 45.3	0.340 0.864	0.340 0.864	843.74 35119	368.18 50278	94.35 1546	41.17 2213	94.18 239.2	8.943 22.714
MSZ19-350	16.36 105.6	17.14 151.1	27.50 69.9	55.69 82.87	24.30 118.64	17.90 45.3	0.350 0.889	0.350 0.889	867.04 36089	378.35 51667	96.81 1586	42.24 2271	94.20 239.3	8.956 22.749
MSZ19-375	17.53 113.1	7.65 161.9	27.50 69.9	59.67 88.79	26.04 127.12	17.90 45.3	0.375 0.953	0.375 0.953	929.74 38698	405.70 55402	103.69 1699	45.25 2433	94.25 239.4	8.966 22.774
MSZ19-406	19.98 122.5	8.28 175.8	27.50 69.9	64.60 96.13	29.19 137.62	17.90 45.3	0.406 1.031	0.406 1.031	1008.15 41962	439.92 60075	112.21 1839	49.87 2633	94.31 239.6	8.984 22.820

J D Fields Construction Products cold form sheet pile sections are available in material grades ASTM-A-572 GR.50 / ASTM-A-328 / Bare or Galvanized finish. All sections are fully manufactured in the USA and cut to order length.

### Bent Corners

- Outside corners only on heavyweight sheet piling
- Corners may be bent to any degree up to 90 degrees
- Custom capping, tiebacks, waling, fabricated corners, tees and slip joints are available





## COLD FORM ASTM TABLE

Steel Sheet Pile Sections > Cold Formed Z Sections

### COLD FORMED SHEET PILE

Available Steel Grades					
ASTM	Yield Strength		ASTM	Yield Strength	
	ksi	MPa		ksi	MPa
A 572 Grade 50	50	345	A 572 Grade 65 (Mod)**	80	555
A 572 Grade 55	55	380	A 588	50	345
A 572 Grade 60	60	415	A 690	50	345
A 572 Grade 65*	65	450			

\* Not available for thicknesses  $\geq 0.375"$  (9.525mm)

\*\*Not available for thicknesses  $> 0.276"$  (7.0 mm)

### DELIVERY CONDITIONS & TOLERANCES

#### ASTM A6

Mass	$\pm 2.5\%$
Length	+ 5 inches      - 0 inches
Interlock Opening	$\pm 0.08$ inches
Straightness	0.2% of the length
Twisting	0.4% of the width

#### Maximum Rolled Lengths\*

70 feet      (21.3 m)

\* Longer lengths may be possible upon request.